

# TopSolid' *Design* 2008

NEW



More tools to **design and manage** more efficiently and quickly

- Slave parts
- Components server
- Complete integration with TopSolid'Pdm
- More powerful and stable 2D draft generation
- Improved ergonomoy
- New sheet metal features
- New interfaces

The Integrated CAD/CAM/ERP Solution

[www.topsolid.com](http://www.topsolid.com)

 **Missler**  
SOFTWARE

# TopSolid'Design 2008



## Powerful CAD for mechanical engineering

TopSolid'Design is a fully integrated and associative CAD software enabling the operator to draft and design products more efficiently. Kinematics, structural calculation, sheet metal processing and mechanical components form an integral part of the software and improve efficiency in the design process. Discover the principal improvements of the 2008 version, among the many new functions this version has to offer.

### Ergonomy

- New tabs to prioritise and find information in the construction tree
- Dynamic cross sections with modification handles
- Distance analysis with graphical display of results
- New properties editor

### Sketch and curves

- New distance and symmetry constraints
- New offset contour
- Horizontal/vertical and tangent mode short-cuts now available
- Automatic scaling of the contour

### Shapes

- Repeat fillets and chamfers
- Drilling on a group of points or sketch
- Copy face enhancements
- Trimming and automatic sewing

### Sheet metal

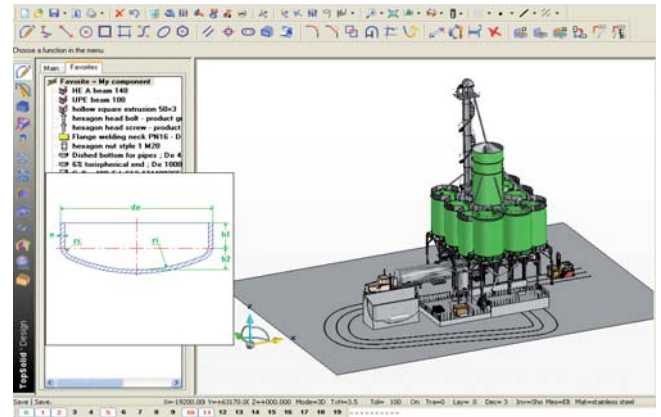
- Flange and swept flange
- Automatic Edge Covering
- Operations on a lateral face
- Unfold/fold operations of conical parts
- New unstamping parameters (penetration radius...)

### Components

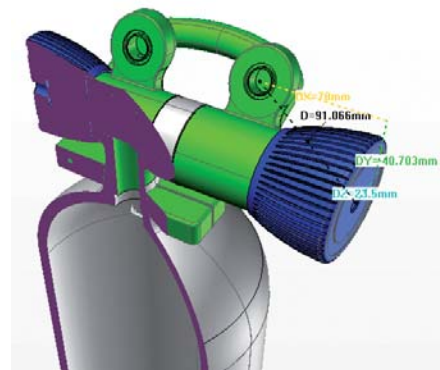
- Components server to optimise performances
- Quick access to preferred components

### 2D Drafts

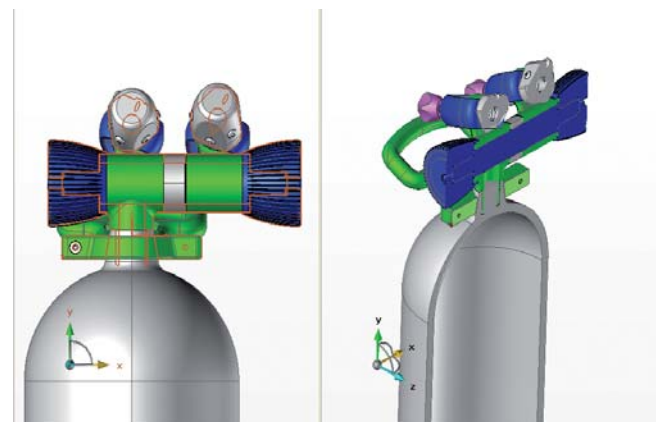
- Hooking stability
- 2D Draft creation of a slave part
- Customised hatching functions
- Multiple indexing with information
- Selection of dimensions with tolerances
- Interrupted view following the X and Y directions
- New interfaces: SolidWorks, SolidEdge, 3D PDF, Spatial



Quick access to preferred components.



Distance analysis with graphical display of results.



New dynamic cross sections.

### Missler Software

7, rue du Bois Sauvage - 91055 Evry, France  
Tel: +33 (0)1 60 87 20 20 - Fax: +33 (0)1 60 87 20 18  
E-mail: [international@topsolid.com](mailto:international@topsolid.com)

