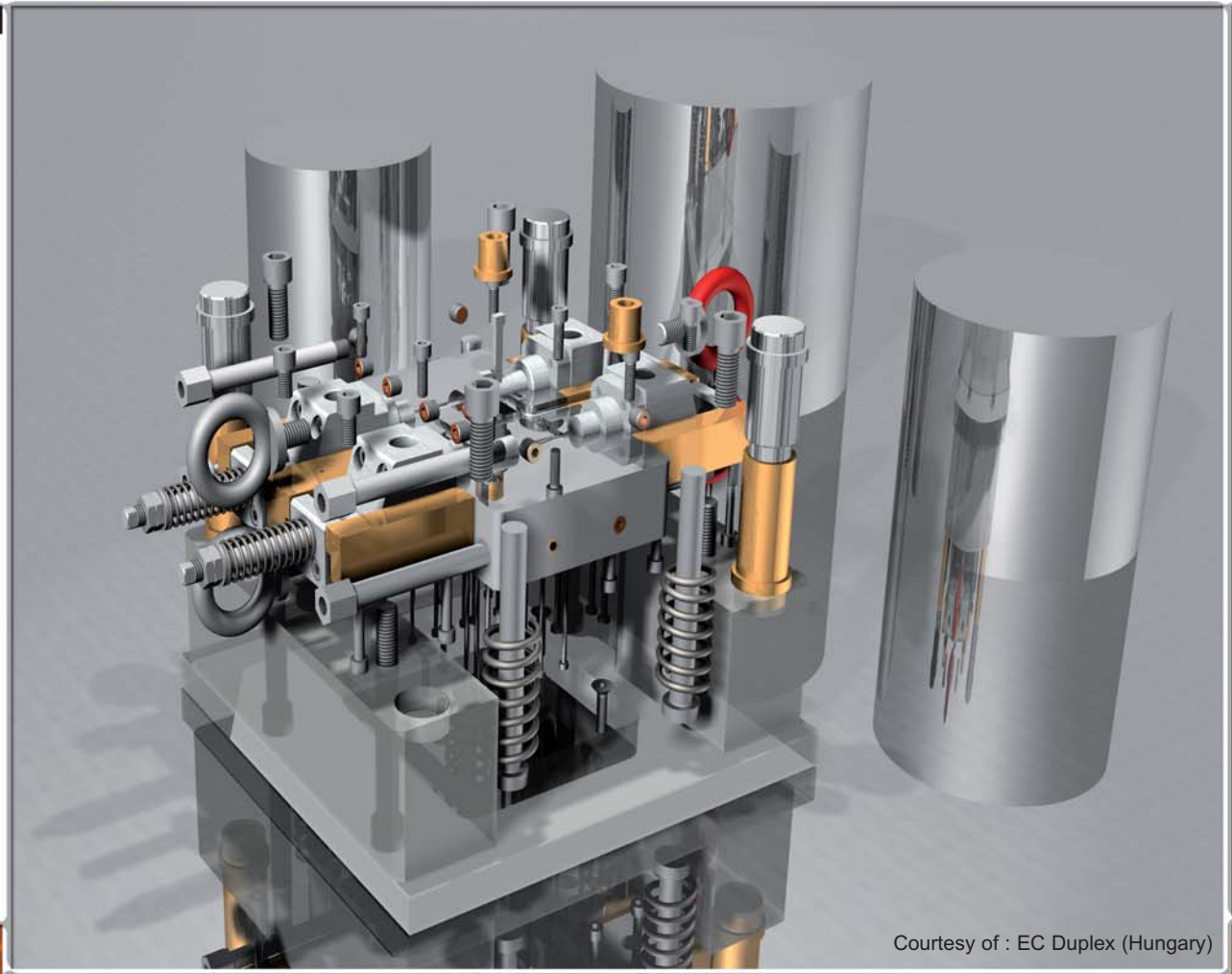


TopSolid'Mold 2008

NEW



Courtesy of : EC Duplex (Hungary)

Specialised CAD/CAM for mold design and manufacturing

- Parting line creation assistance
- Management of mold data
- Possibility to manage molds with several versions
- Facilitated movement
- Improved components
- Mold optimisation
- Rheological analysis

The Integrated CAD/CAM/ERP Solution

www.topsolid.com

 **Missler**
SOFTWARE

TopSolid'Mold 2008

Excellent CAD/CAM for mold makers

TopSolid'Mold offers powerful design and manufacturing solutions designed to meet the highly specialised needs of mold makers and tool & die specialists. TopSolid'Cam, which is completely integrated with TopSolid'Mold, enables the automatic generation of the machining schedule of the mold. All manufacturing data produced by TopSolid'Mold will be understood by TopSolid'Cam, notably the drilling procedures for components. Here are some of the major improvements of TopSolid'Mold 2008.

Parting line creation assistance

- Supervise separation of parting lines
- Split in 2 shells
- Visualisation of critical zones during the parting line separation

Management of mold data

- Generation of dedicated sub-assemblies: machined elements, bolts and screws, ejector pins...
- Availability of the associative rough (rectangular, cylindrical)
- Restructuring of the « BOM properties » window to centralise information
- Easy use of industry BOMs using these new functions

Possibility to manage mold design with several versions

- Automatic recognition of common elements
- Create as many mold versions as necessary
- Assign different elements to different versions

Facilitated movement

- A new wizard to assist insertion of movement components (guiding rails, angular pins, locking heels...)
- Save your movement configurations for future use

Improved components

- Addition of new components (new libraries and new types of components)

Mold optimisation

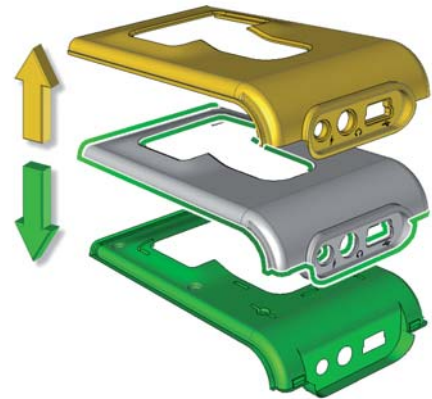
- Reduce memory consumption
- Optimisation of calculation times
- Smaller file sizes thanks to better mold component management

Rheological analysis

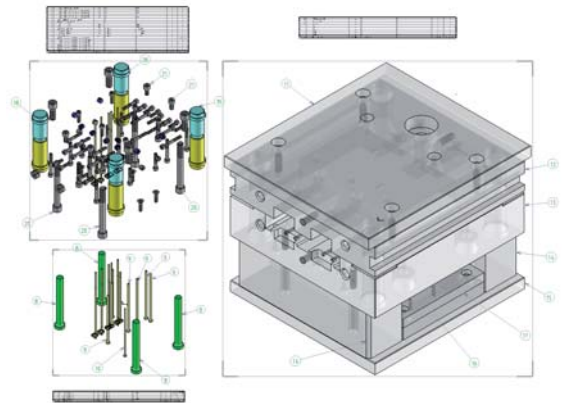
- Direct link with MoldFlow Plastics Advisers® (MPA®)*
 - Direct link with Ansys®*
- * requires the purchase of a licence of the concerned product

TopSolid'Electrode

- New electrode available: square orbit for planar electrodes



Separation in 2 shells: This offers you new possibilities to build, verify, visualise, ... your mold.



New components and better management of mold data: New assemblies which are associated with the management of your components offer important productivity gains.

Missler Software

7, rue du Bois Sauvage - 91055 Evry, France
Tel: +33 (0)1 60 87 20 20 - Fax: +33 (0)1 60 87 20 18
E-mail: international@topsolid.com



TopSolid'Mold 2008 integrates a direct link to MoldFlow Plastics Advisers.