

TopSolid

Design



A complete CAD solution with TopSolid'Design 2009

- Complete integration with manufacturing and data management
- Total freedom in modelling and design
- Manage large assemblies
- Recover and use external files
- Powerful draft creation
- A simple and powerful ergonomomy

THE INTEGRATED
CAD/CAM/ERP SOLUTION

Here are some of the major improvements of TopSolid'Design 2009

TopSolid'Design is a powerful integrated CAD/CAM solution for modelling, simulation and production (geometry, assemblies, structural calculation, dynamics, etc.) Such functions provide a powerful means to meet industry-specific requirements for the drafting, design and manufacture of products. Kinematics, structural calculation, sheet metal processing and mechanical components form an integral part of the software and improve efficiency in the design process.

Ergonomy

- > Neutral Mode: Lots of new interaction available
- > Improved Trees: Layers, Entities, etc.
- > Copy operations by «drag-and-drop» from the operation tree
- > New realistic mode: «rendering and edges»
- > Import and export complete projects
- > Automatic nomination of documents

Sketcher

- > Management of open curves: visualisation of extremities
- > Custom display of dimensions / constraints
- > Offset curve with self-intersection management

3D Modelling

- > Draft Angle operation with management of fillets
- > Loft Surface with G2 conditions (curvature)
- > Propagation of grouped operations
- > Shape deformation by bending or torsion
- > Replace faces with the «one surface» or «several surfaces» options

Components

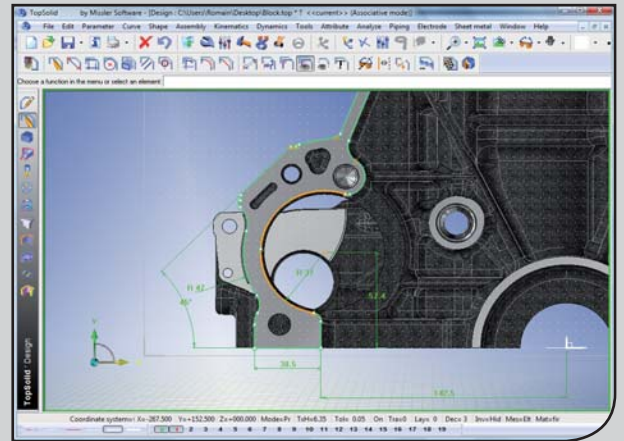
- > Predefined positioning constraints
- > Intuitive positioning
- > Slave parts enhancements
- > Define the mass and component mass centre

Draft

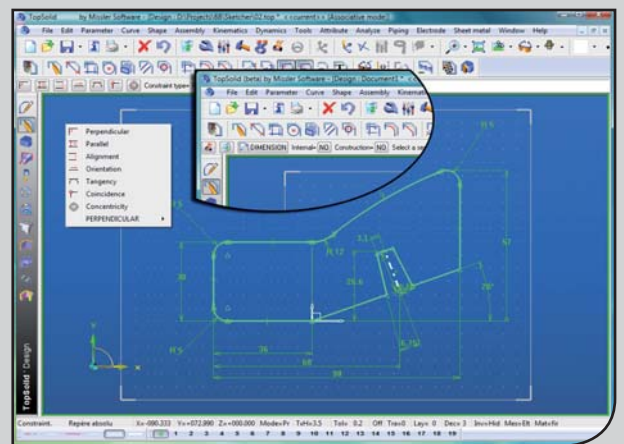
- > Automatic orientation of hatchings
- > Turning dimensions
- > Symbols in the drilling tables
- > BOM: Recognition of identical parts
- > BOM with images (preview for each part)
- > Global modification of dimensions

Interfaces

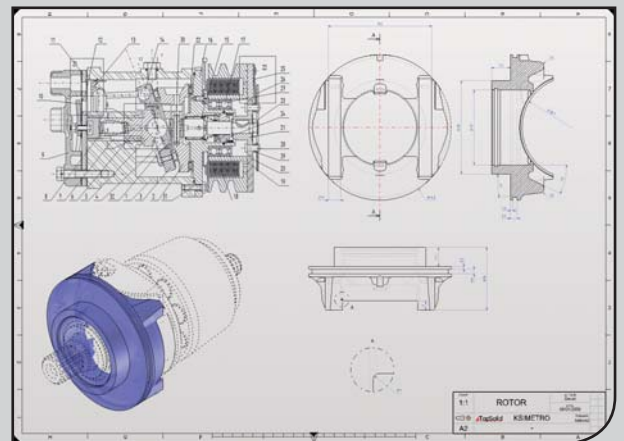
- > Import Google Sketchup
- > Adobe 3D PDF with textures and parts information



Highly sophisticated realistic rendering with TopSolid'Design 2009.



TopSolid'Design 2009 offers more direct access to icons in the contextual menu and in dialogue bars.



TopSolid'Design 2009 drafts show the automatic orientation of hatchings.

www.topsolid.com

THE INTEGRATED
CAD/CAM/ERP SOLUTION