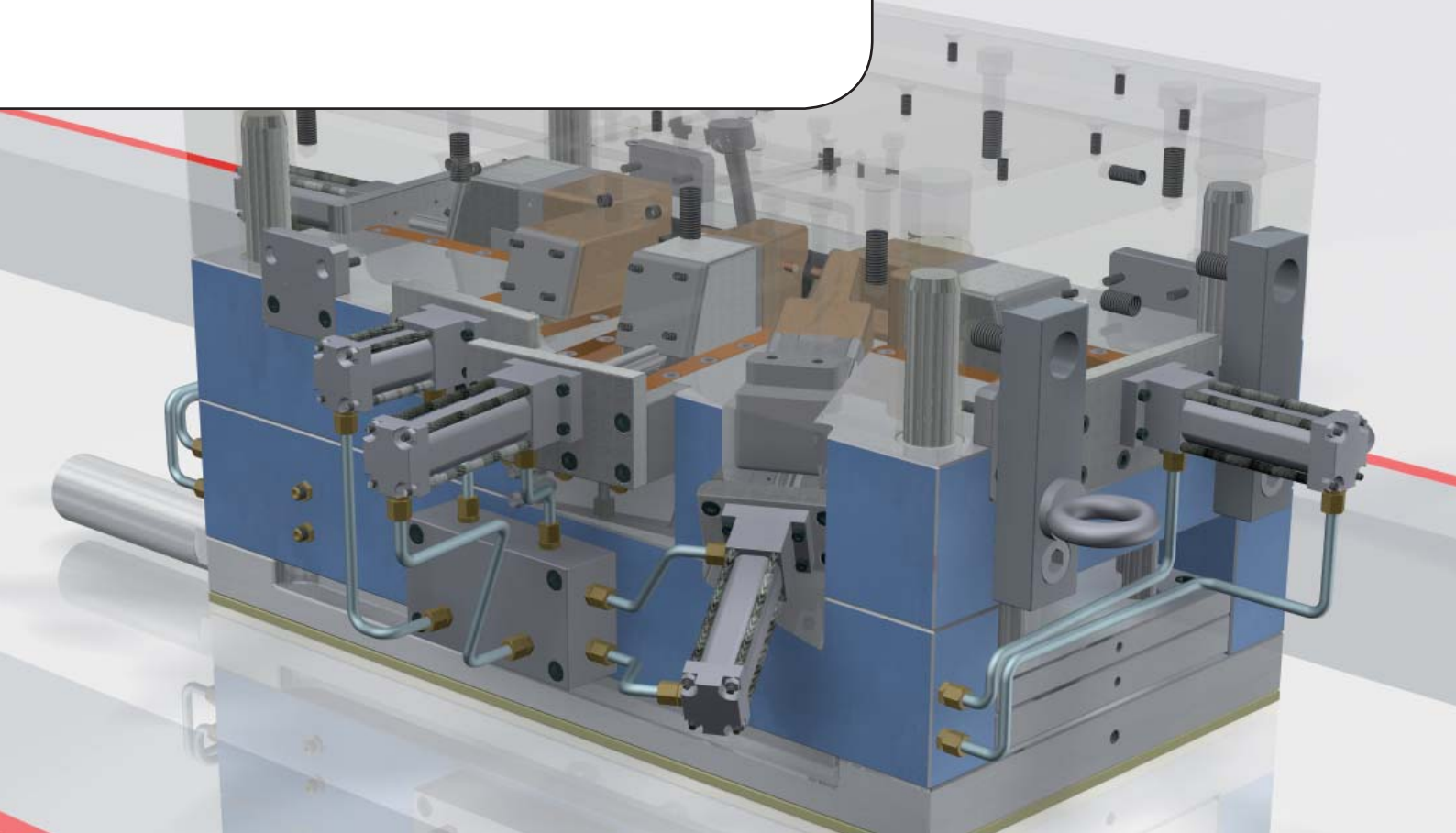


TopSolid

Mold



A complete CAD/CAM solution for mold makers with TopSolid'Mold 2009

- Work quicker and more efficiently with the synchronized collaborative work mode
- Automation of parting line and surface management
- Insert and movement assistants
- Improved regulation management
- New interface for mold bases parameters
- Better visualisation of collisions
- Advanced components
- Powerful management of processes

THE INTEGRATED
CAD/CAM/ERP SOLUTION

A complete CAD/CAM solution for mold makers with TopSolid'Mold 2009

TopSolid'Mold is a fully integrated CAD module designed to meet the highly specialized needs of mold makers and tool & die specialists. TopSolid'Mold optimises all stages involved in the creation of your mold by providing a global and collaborative design process which is quicker and more efficient than a non-specialist CAD software. In addition, TopSolid'Mold assists mold makers right throughout the mold design process from the cavity creation through to the mold movements.

- > Use external 3D numerical data
- > Design your tools in 3D (inserts, sliders, die sets, punches, ...)
- > Easily modify projects according to client needs
- > Use standard mold bases and supplier catalogues
- > Manage mold versions
- > Create all tool maker's plans and BOMs
- > Simulate machine kinematics
- > Automatically machine all parts

Here are some of the major improvements of TopSolid'Mold 2009

Collaborative work

- > Divide design work among several colleagues to reduce design times
- > Work on an « image » of the project with full management of the overall project
- > Possibility to work in unsynchronised mode

Management of parting lines and surfaces

- > Shrinkage factor can now be expressed as a percentage
- > Design of a set of parting surfaces
- > Visualisation tools for parting elements (surfaces, lines, parts)
- > New management compatible with your old designs

Movement and inserts

- > Components insertion wizard (guiding rails, angular pins, locking heels, ...)
- > Save your user configurations for future use

Cooling circuit management

- > Complete regulation management tool (visualisation, cooling circuit group, collision detection)
- > Simplified design of complex regulation

Mold bases

- > Management of mold base parameters (opening and ejection strokes)

Components

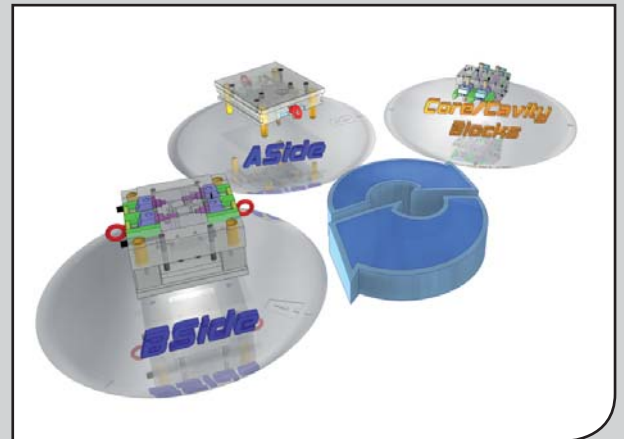
- > Collision control of component processes
- > Management of attributes per component
- > Addition of components

Management of processes

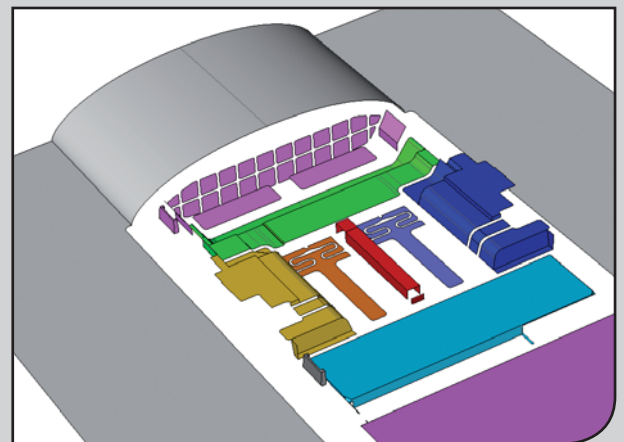
- > Possibility to carry out multiple changes on drilling processes
- > Improved management of machining processes which ensure closer integration with TopSolid'Cam

TopSolid'Electrode

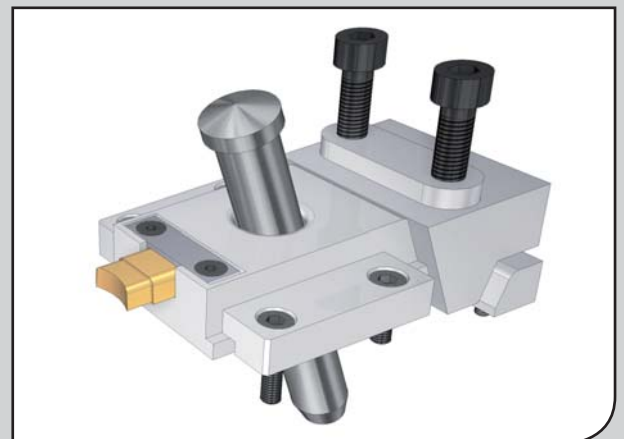
- > Management and display of theoretical plunge positions
- > Management of all electrode data by data tables



Work in a collaborative environment.



Creation and management of parting lines and surfaces.



Component insertion wizard (design and save).

www.topsolid.com

THE INTEGRATED
CAD/CAM/ERP SOLUTION